

APPENDIX E

CONNECTORS & CONNECTIONS

(This appendix is provided mainly as a reference for future modifications of the instrument and for maintenance.)

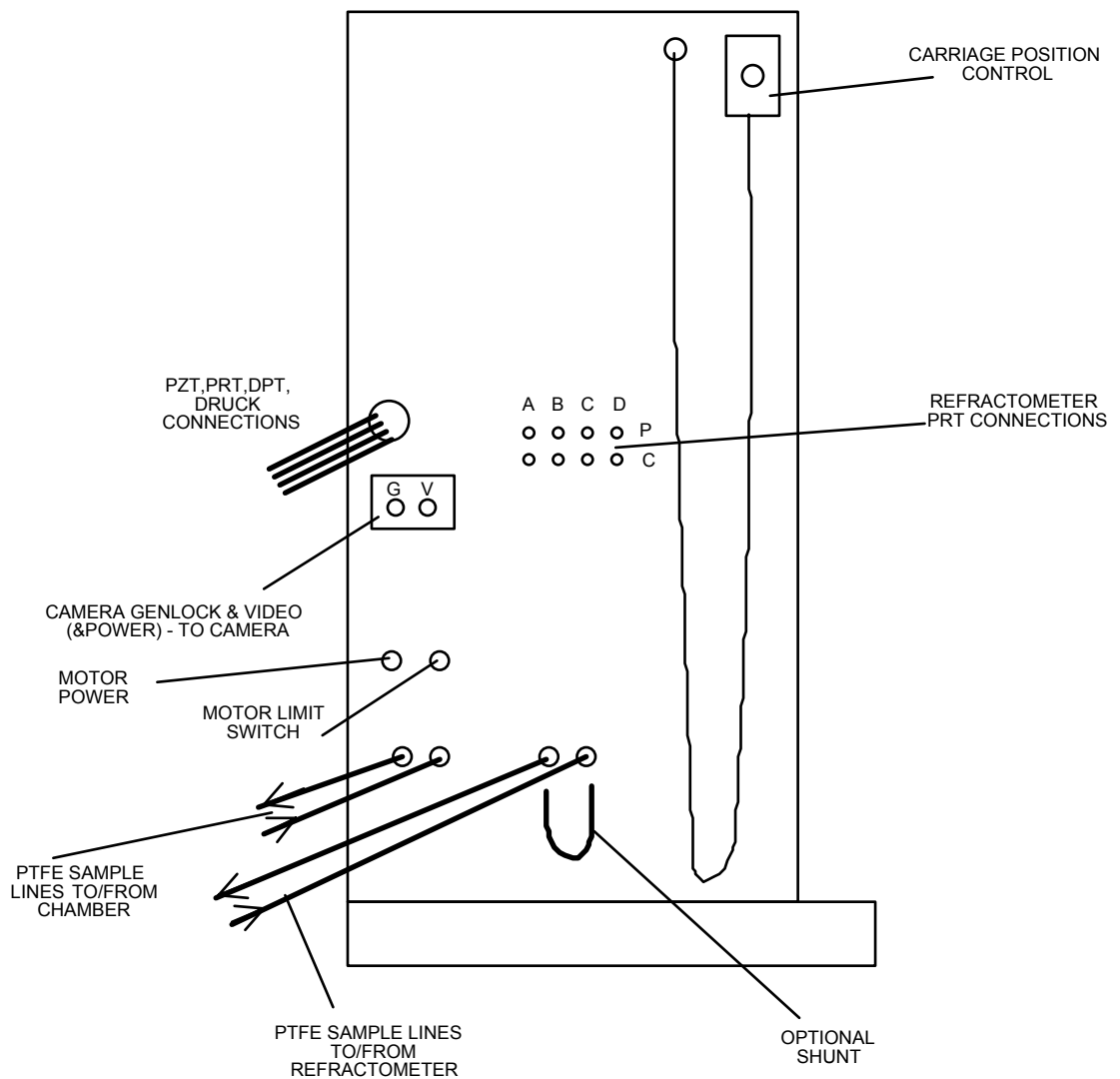


Figure E.1 - Electronics rack, left side view of connectors

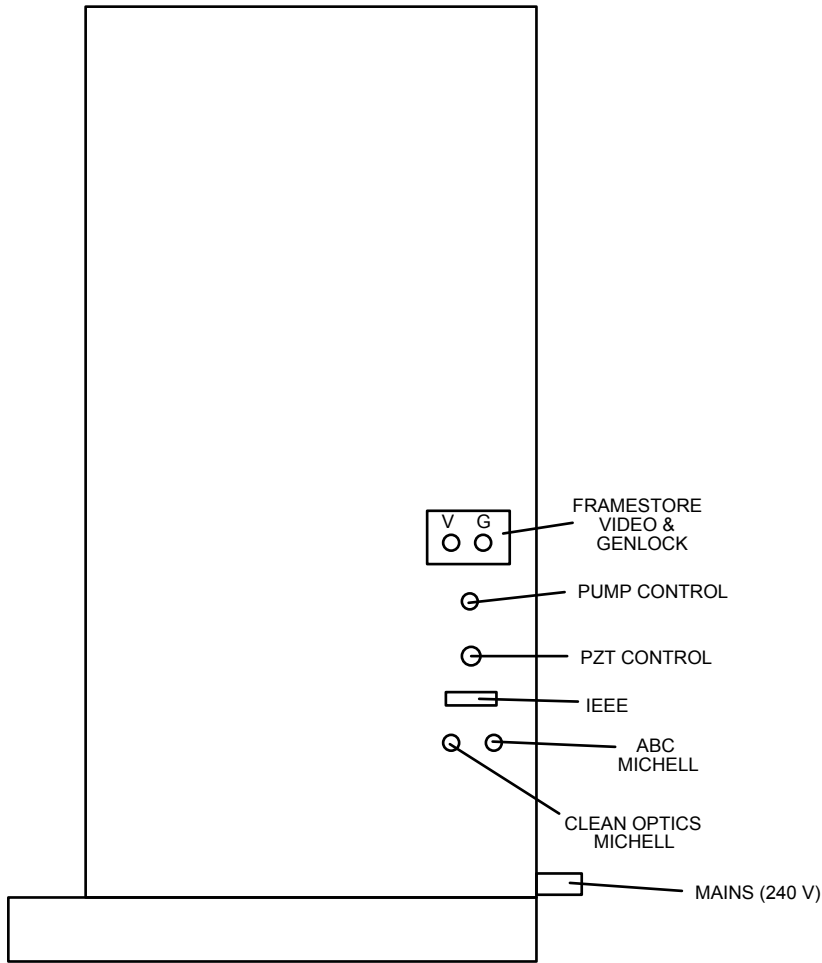


Figure E.2 - Electronics rack, right side view of connectors

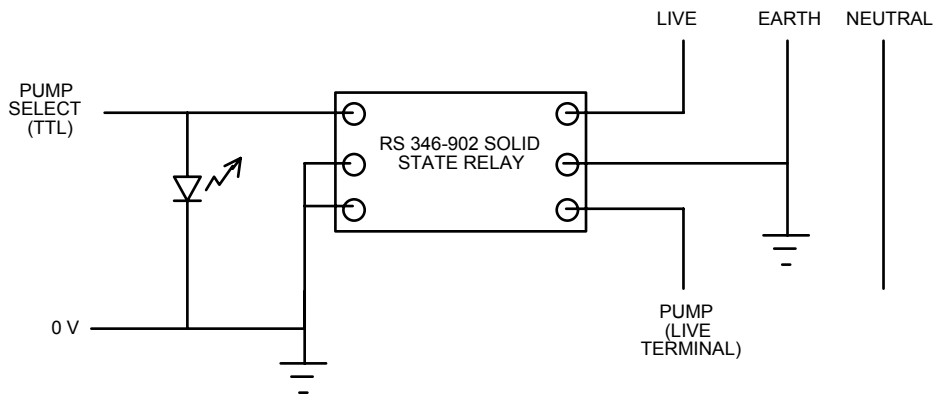


Figure E.3 - Pump control using solid state relay

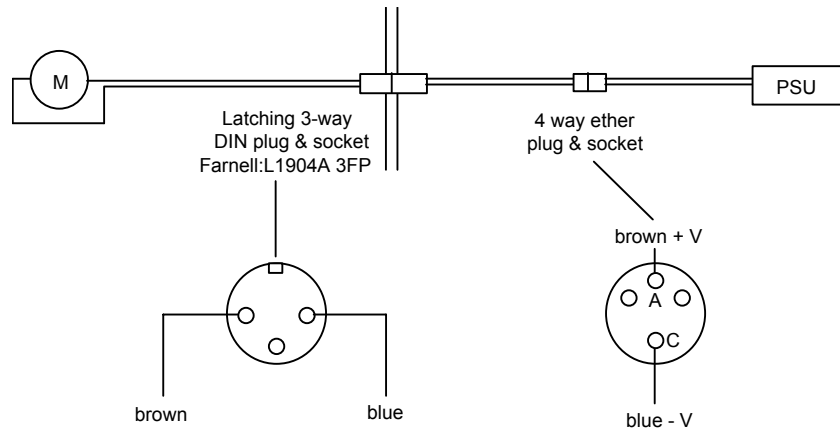


Figure E.4 - Motor power connections from motor to PSU

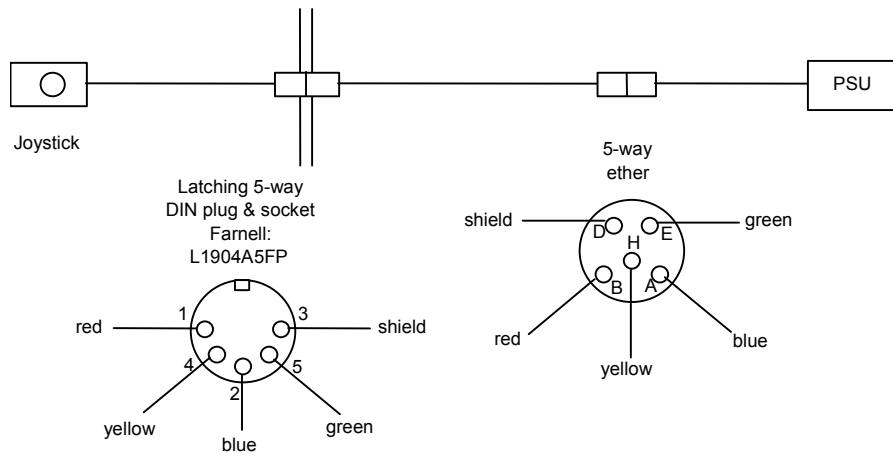


Figure E.5 - Motor direction control, from joystick microswitches to PSU board

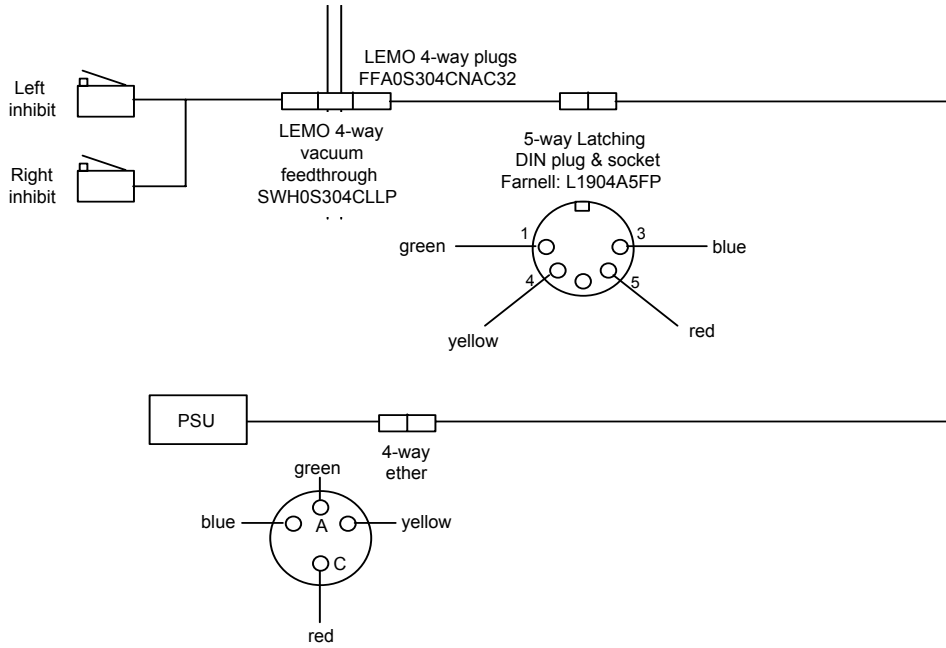


Figure E.6 - Motor inhibit connections, microswitches on stage to PSU board

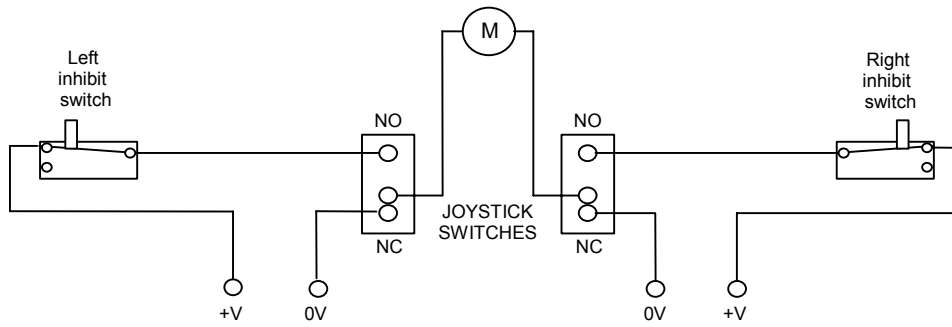


Figure E.7 - Motor control from joystick switches to motor

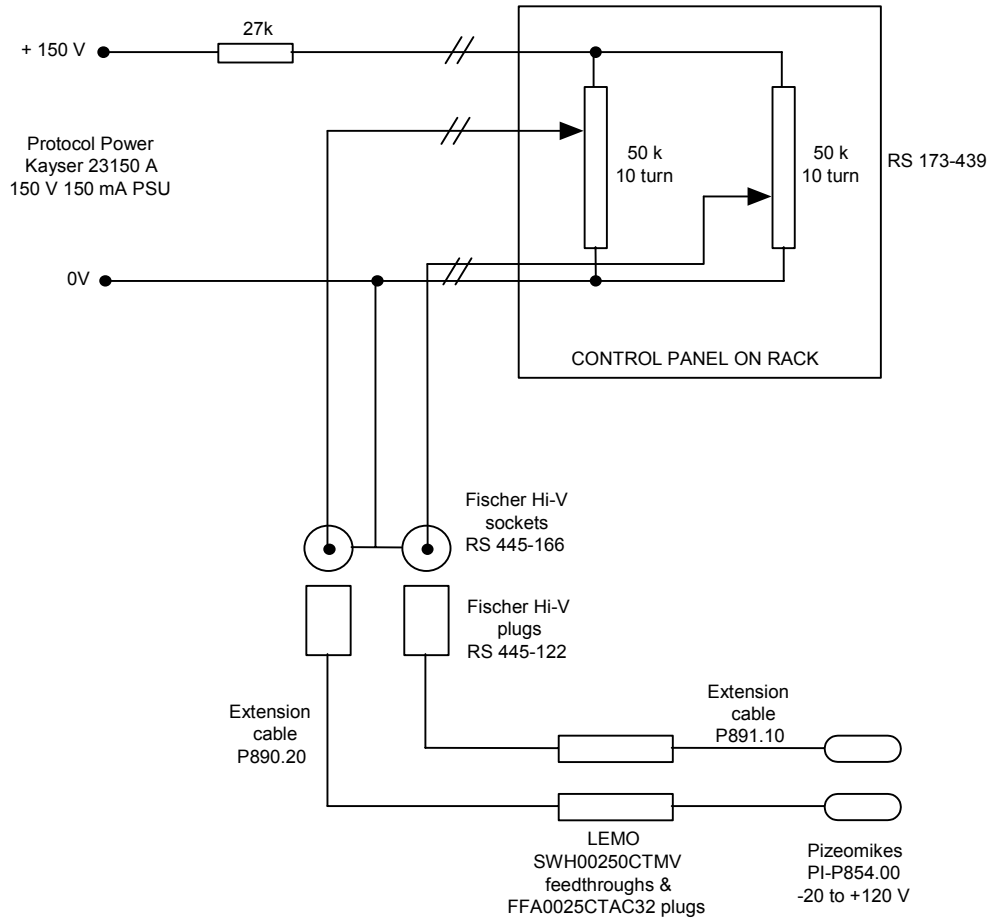


Figure E.8 - Low voltage PZT power supply connections

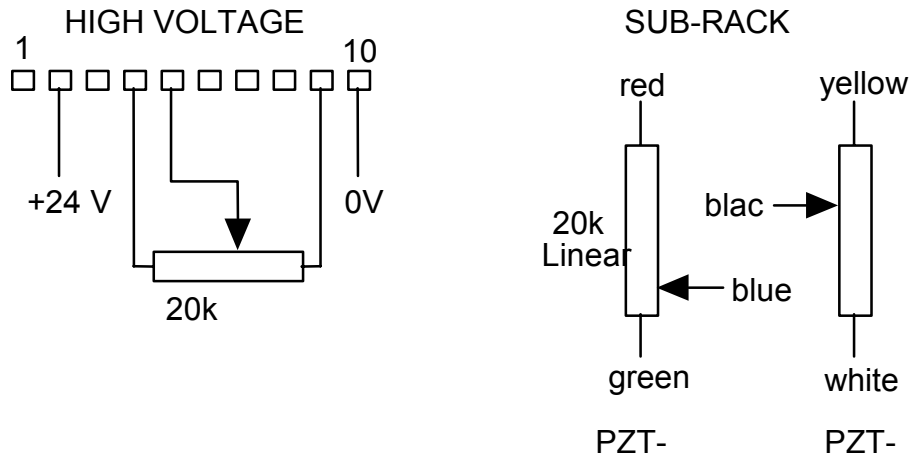


Figure E.9 - High voltage PZT power supply connections

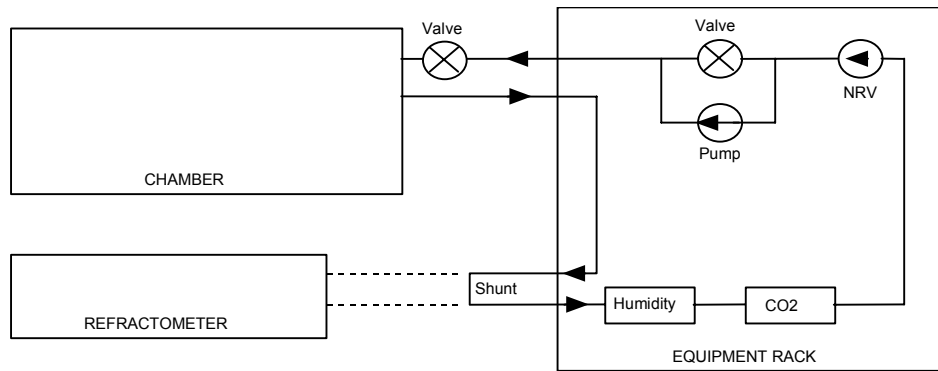


Figure E.10 - Gas sample flow connections

LEMO connectors

PRTs

Feedthroughs: SWH0S304CLLP
 Plug internal: FFA0S304CNAC32
 Plug external: FFA0S304CNLC42

High voltage PZTs

Feedthroughs: SWH1S405FTMSV
 Plugs: FFB1S405CTAC57

Low voltage PZTs

Feedthroughs: SWH00250CTMV
 Plugs: FFA0025CTAC32

Queensgate DPT

PZT voltage feedthrough: SWH1S405FTMSV
 Sense/drive feedthrough: SWH00250CTMV
 Sense/drive plugs: FFA0025CTAC

Motor limit switches

Feedthroughs: SWH0S304CLLP
 Plugs: FFA0S304CNAC32

Fan

Feedthrough: SWH0S304CLLP
 Plugs: FFA0S304CNAC32